



EluFlex® SB overview

Elastic bearing for pressure loads (free-standing)

APPLICATION

- Bearing of units that are free-standing
- Absorption of pressure loads
- For other load cases see datasheets for EluFlex® SF, EluFlex® DE and EluFlex® ZDUM

EXAMPLES

- Bearing free-standing (stationary) compressors and air-conditioning units
- Bearing free-standing instruments and measuring equipment (e.g. scales)

ASSEMBLY

- Bearings are bolted with the unit and stands free on ground
- A suitable threadlock must be applied to the screw connection

CHARACTERISTICS

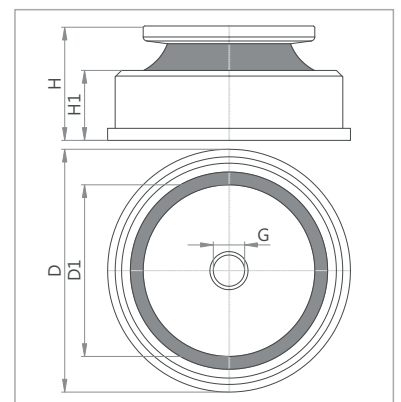
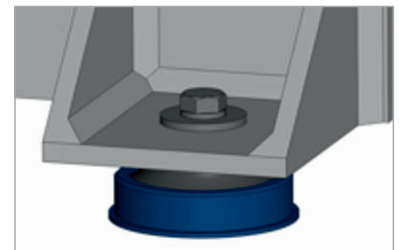
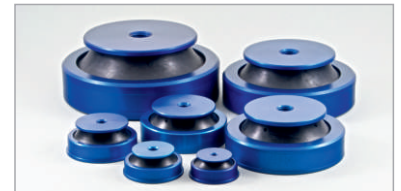
- Robust with long service life, Maintenance free, Elastic failsafe device (> +5g)
- Corrosion-resistant, light and non-magnetic
- Highly efficient vibration and impact isolation

MATERIALS

- Metals: Aluminium alloy (brine-resistant per DIN 81249-1), colour anodised
- Elastomer: NR (natural rubber), other kinds of rubber on request

SELECTION

- Selection takes place according to the weight of the unit, the number of bearings and the installation situation
- **Example:**
 - > Bearing of a machine with a total mass of 2,400 kg on 4 bearings
 - > Overall centre of gravity load-symmetrical (all 4 bearing forces are equally high)
 - > Individual bearing mass per bearing = 600 kg
 - > Application EluFlex® 150-750 SB (see table)
 - > resonant frequency 7.7 Hz (vibration isolation from approx. 10.8 Hz or 650 rpm, data from specific documentation)



We shall be happy to support you, please get in touch with us!

Program										
Description	Item Number	m_{max}^1 [kg]	$s(m_{max})^2$ [mm]	$f_0(m_{max})^3$ [Hz]	G^4 [mm]	H^5 [mm]	H1 [mm]	D [mm]	D1 [mm]	Weight [kg]
EluFlex® 40-25 SB	920100	25	3.0	11.0	M6 x 10	18	11	38	27	0.025
EluFlex® 50-50 SB	920101	50	4.2	11.2	M6 x 12	21	13	48	34	0.045
EluFlex® 60-100 SB	920102	100	3.5	10.8	M8 x 12	24	14	59	42	0.070
EluFlex® 70-200 SB	920103	200	5.0	9.9	M10 x 15	30	17	74	53	0.135
EluFlex® 90-300 SB	920104	300	6.9	8.2	M12 x 20	37	22	90	66	0.290
EluFlex® 120-500 SB	920105	500	8.2	8.0	M16 x 27	47	27	120	82	0.670
EluFlex® 150-750 SB	920106	750	10.0	6.9	M20 x 30	58	34	150	103	1.300
EluFlex® 180-1000 SB	920107	1,000	12.5	6.2	M24 x 40	72	42	180	129	2.300
EluFlex® 180-1500 SB	920108	1,500	12.5	6.8	M24 x 40	72	42	180	129	2.300
EluFlex® 180-2000 SB	920109	2,000	9.0	7.9	M24 x 40	72	42	180	129	2.300

¹ permissible permanent static load, which can be superimposed on a dynamic, alternating load, ² approx. spring deflection with permissible permanent load, ³ approx. axial resonant frequency with permissible permanent load, ⁴ upper thread (please note max. length of engagement), ⁵ total height unloaded

For further technical information (force/displacement curves, progression of resonant frequencies etc.) please refer to the specific documentation.

Stand: 23/02/2015