



EluFlex® SF overview

Elastic bearing for pressure loads (fixable)

APPLICATION

- Bearing of units that are bolted together with the floor or intermediate structures
- Absorption of pressure and shearing loads
- For other load cases see datasheets for EluFlex® SB, EluFlex® DE and EluFlex® ZDUM

EXAMPLES

- Bearing stationary compressors and air-conditioning units

ASSEMBLY

- Bearings are bolted with the unit and the substrate/substructure
- A suitable threadlock must be applied to the screw connection

CHARACTERISTICS

- Robust with long service life, Maintenance free
- Corrosion-resistant, light and non-magnetic
- Highly efficient vibration and impact isolation
- Elastic failsafe device (> +5g)

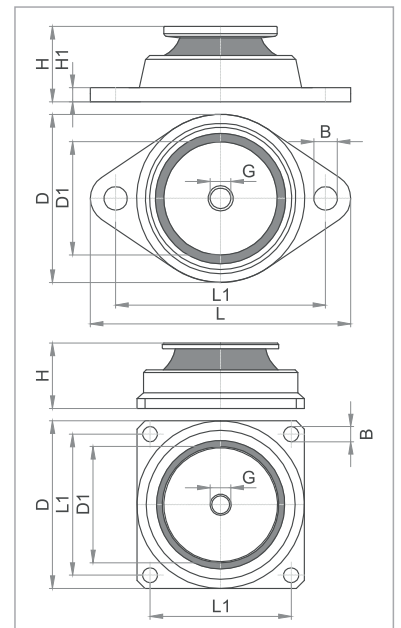
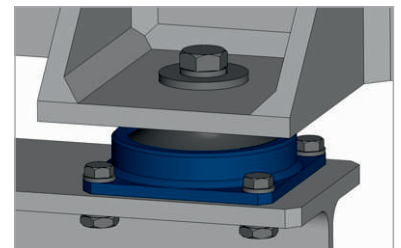
MATERIALS

- Metals: Aluminium alloy (brine-resistant per DIN 81249-1), colour anodised
- Elastomer: NR (natural rubber), other kinds of rubber on request

SELECTION

- Selection takes place according to the weight of the unit, the number of bearings and the installation situation
- **Example:**
 - > Bearing of a machine with a total mass of 4,000 kg on 4 bearings
 - > Overall centre of gravity load-symmetrical (all 4 bearing forces are equally high)
 - > Individual bearing mass per bearing = 1,000 kg
 - > Application EluFlex® 180-1000 SF (see table)
 - > resonant frequency 6.5 Hz (vibration isolation from approx. 9 Hz or 540 rpm, data from specific documentation)

We shall be happy to support you, please get in touch with us!



Program														
Description	Item Number	Form	m_{max}^1	$s(m_{max})^2$	$f_0(m_{max})^3$	G^4	H^5	H1	D	D1	L	L1	B	Weight
			[kg]	[mm]	[Hz]	[mm]	[mm]	[mm]	[mm]	[mm]	[mm]	[mm]	[mm]	[kg]
EluFlex® 40-25 SF	920210		25	3.0	11.0	M6	17	4	45	27	72	60	6.8	0.035
EluFlex® 50-50 SF	920211		50	4.2	11.2	M6	21	4	55	34	82	70	6.8	0.060
EluFlex® 60-100 SF	920212		100	3.5	10.8	M8	24	4	65	42	101	85	9.0	0.090
EluFlex® 70-200 SF	920213		200	5.0	9.9	M10	30	5	75	53	111	95	9.0	0.150
EluFlex® 90-300 SF	920214		300	6.9	8.2	M12	37	5,5	95	66	130	110	9.5	0.300
EluFlex® 120-500 SF	920215		500	8.2	8.0	M16	47	7	115	82	170	140	11.5	0.600
EluFlex® 150-750 SF	920206		750	10.0	6.9	M20	58	8,5	150	103		120	14.0	1.200
EluFlex® 180-1000 SF	920207		1,000	12.5	6.2	M24	72	10	180	129		150	14.0	2.200
EluFlex® 180-1500 SF	920208		1,500	12.5	6.8	M24	72	10	180	129		150	14.0	2.200
EluFlex® 180-2000 SF	920209		2,000	9.0	7.9	M24	72	10	180	129		150	14.0	2.200

¹ permissible permanent static load, which can be superimposed on a dynamic, alternating load, ² approx. spring deflection with permissible permanent load, ³ approx. axial resonant frequency with permissible permanent load, ⁴ upper thread (please note max. length of engagement), ⁵ total height unloaded

For further technical information (force/displacement curves, progression of resonant frequencies etc.) please refer to the specific documentation.

Stand: 2015/11/10