



EluFlex® ZDMF product line summary

elastic mounts for compression, tension and shear loads

FUNCTION

- integrated two springs are working against each other
- loads are applied symmetrical between both springs to support static and dynamic loads (also „real“ tension loads) without hard impact in end positions
- symmetric spring rates and progressive (soft) end stops in all room directions

APPLICATION

- efficient and fail-safe vibration-isolation and shock-absorption of compression, tension and shear loads
- ground-, wall- and overhead mounting

EXAMPLES

- operator's platform, elastic fixed at crusher plant
- fixing of electronic control unit at largecapacity excavator
- machine bearing in earthquake (endangered) areas

ASSEMBLY

- bearings are bolted with the unit and the substrate/substructure
- all bolted connections need to be locked by an appropriate screw lock (dynamic loads)

CHARACTERISTICS

- tough, maintenance free and long durability
- highly corrosion-resistant, lightweight and non-magnetic
- high efficient vibration-isolation and shock-absorption
- mechanical breakaway lock, fail-safe

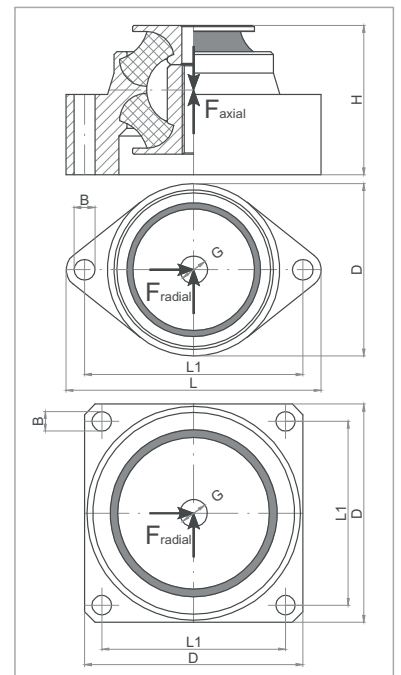
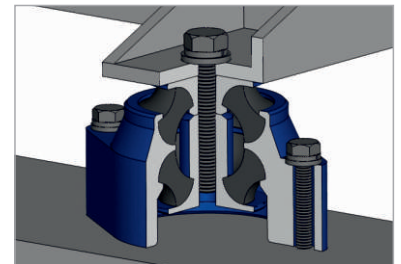
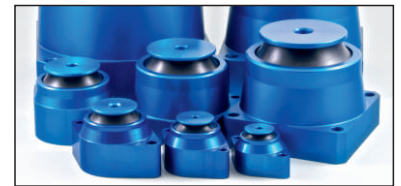
MATERIALS

- metals: aluminium alloy (seawater-resistant according to Germanische Lloyd und DIN 81249-1), coloured anodised
- elastomer: NR (nature rubber), other kinds of rubber on request

CHOOSING

- choose accordingly to machine weight, number of bearings and mounting situation

We support you by choosing and willingly with calculation, please contact us!



Program															
Description	Item Number	Form	axial ⁶			radial ⁶			G ⁴	H ⁵	D	L	L1	B	Weight [kg]
			m _{max} ¹ [kg]	f ₀ (m _{max}) ² [Hz]	g _{max} ³	m _{max} ¹ [kg]	f ₀ (m _{max}) ² [Hz]	g _{max} ³							
EluFlex® 40-25 ZDMF	920310		25	10.2	5	20	11.0	2	M6	36	45	72	60	6,8	0.100
EluFlex® 50-50 ZDMF	920311		50	8.7	5	35	10.1	2	M6	45	55	82	70	6,8	0.170
EluFlex® 60-100 ZDMF	920312		100	9.3	5	35	10.9	3	M8	55	65	101	85	9,0	0.300
EluFlex® 70-200 ZDMF	920313		200	8.3	5	70	10.0	3	M10	65	75	111	95	9,0	0.460
EluFlex® 90-300 ZDMF	920324		300	7.6	5	100	8.7	3	M12	80	95	130	110	9,5	0.810
EluFlex® 120-500 ZDMF	920325		500	6.2	5	170	7.2	3	M16	100	115	170	140	11,5	1.610
EluFlex® 150-750 ZDMF	920316		750	5.6	5	250	5.8	3	M20	125	150		120	14,0	3.190
EluFlex® 180-1000 ZDMF	920317		1.000	5.3	5	350	5.6	3	M24	160	180		150	14,0	5.800
EluFlex® 180-1500 ZDMF	920318		1.500	5.4	5	500	6.3	3	M24	160	180		150	14,0	5.900
EluFlex® 180-2000 ZDMF	920319		2.000	6.1	5	700	8.1	3	M24	160	180		150	14,0	6.000

¹ permissible statical permanent load, which can be combined with a dynamic load, ² approx. resonance frequency at permissible permanent load, ³ maximum factor m_{max} for impact loads (elastic end stop), ⁴ upper thread (please note max. and min. length of engagement), ⁵ total height, mounted and unloaded, ⁶ installation position

For further technical information (force/displacement curves, progression of resonant frequencies etc.) please refer to the specific documentation.

Stand: 11/11/2015